

Sundyne **ANSIMAG**
Process Pumps

KM
SERIES
ETFE / PFA LINED
MAG DRIVE PUMPS



NEW!

Introducing the **KM1516LF**
for low flow pumping applications.

WE KNOW
Lowflow



Reliable, Safe, Sealless

FROM SUNDYNE - THE LOW FLOW EXPERTS

Sundyne Presents Ansimag

Sundyne Ansimag sealless magnetic drive non-metallic pumps are simple by design, delivering world class performance in a remarkably compact footprint. With no seals or mechanical couplings to leak or fail, these pumps are the safest choice for those looking to protect personnel and the environment. Additionally, Sundyne sealless pumps feature fewer wetted parts than competitive products and a powder coat finish to prevent corrosion, delivering enhanced durability, optimal reliability and lower through-life costs over traditional sealed pumps.

Built to meet exacting ASME / ANSI B73.3 and ISO 2858 chemical process pump standards, Sundyne sealless pumps are the easy upgrade option for fluid handling professionals interested in replacing their standard mechanically sealed pumps. Backed by over 30 years of continuous improvement on our original standard dimensional designs, Sundyne sealless magnetic drive non-metallic pumps are the ideal choice for applications involving highly volatile or valuable materials in the chemical, petrochemical and water industries.

Ansimag KM Series

Ideal For:

- ✓ Chemical Injection
- ✓ Chemical Transfer
- ✓ Wet Scrubbing
- ✓ Metal Plating
- ✓ Steel Pickling

Typical Liquids:

- ✓ Acids
- ✓ Sodium Hydroxide
- ✓ Sodium Hypochlorite
- ✓ Solvents

Designed for Reliability:

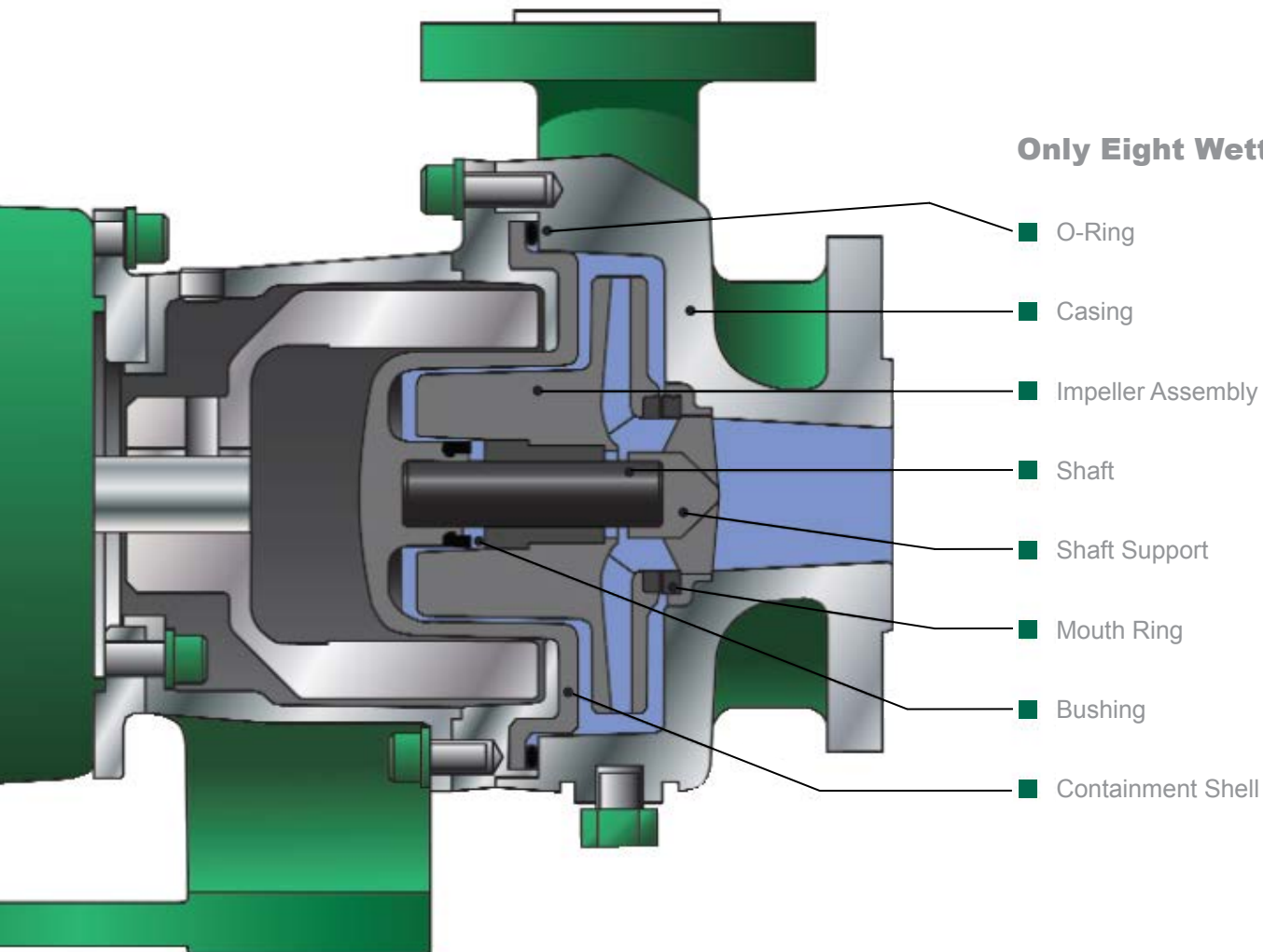
- ✓ Fully supported, large diameter, shaft for ZERO shaft deflection (even at low flow)
- ✓ Rigid ductile iron exterior for metal pump toughness
- ✓ Silicon Carbide Bearings for maintenance free operation
- ✓ Oversized thrust rings to handle off-duty operation
- ✓ Single, oversized, static O-ring for secure casing sealing
- ✓ No barbs or retaining rings used to hold parts in place

Built for Performance

- ✓ Synchronous "mag drive" coupling for zero slip operation
- ✓ Closed Impeller design for maximum hydraulic efficiency and low NPSHr
- ✓ Kevlar® composite containment shell to withstand high operating pressure
- ✓ Minimum flow rates down to 1GPM -- ideal for replacing large, expensive-to-maintain metering pumps
- ✓ Patented Sundyne partial emission hydraulic design (LF) for optimum efficiency and enhanced operating control at low flow rates



Ideal for Steel Pickling operations and much more...

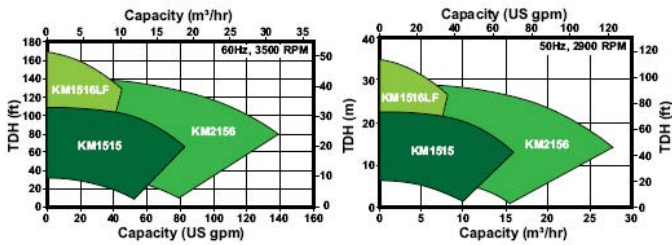


Standard Features & Benefits

- Sealless design for ZERO leakage
- ETFE or PFA (non-metallic) lining for universal chemical compatibility - significantly less costly than exotic metal alloys
- Heavy Duty construction with a compact, close coupled footprint
- Universal Flanges designed to work with ANSI, DIN and JIS flange connections
- Powder Coated metal surfaces for maximum protection from external elements
- Made in the USA

Low Total Cost of Ownership:

- ✓ Non-Metallic containment shell for maximum sealless pump efficiency
- ✓ Close Coupled, "Sub-ANSI", configuration; no coupling to align or bearings to maintain
- ✓ Simple Construction for easy maintenance
- ✓ No mechanical seal to maintain
- ✓ Available in three economically-priced sizes:
 - KM 1515
 - KM1516LF
 - KM2156



COMPRESSORS

PUMPS

GENUINE PARTS

SERVICE

Sundyne Headquarters:
Sundyne, LLC
 14845 West 64th Avenue
 Arvada, Colorado 80007
 USA
 1-866-Sundyne
 Phone: 1.303.425.0800
 Fax: 1.303.425.0896
 www.sundyne.com

Sundyne China:
 Building 1, No. 879 Shen Fu Road
 XinZhuang Industrial Zone
 Min Hang District
 Shanghai, China 201108
 Phone: +8621 5055 5005
 Fax: +8621 5442 5265

Sundyne France:
Sundyne International S.A.
 13-15, Boulevard Eiffel - B.P. 30
 21604 Longvic Cedex
 France
 Phone: +33 380 38 33 00
 Fax: +33 380 38 33 66

Sundyne Spain:
Sundyne Marelli Bombas, S.R.L.
 Ctra. Madrid-Toledo, Km.30.8
 45200 Illescas
 Toledo, Spain
 Phone: +34 925 53 45 00
 Fax: +34 925 51 16 00

Sundyne United Kingdom:
Sundyne HMDKontro Sealless Pumps, Ltd.
 Marshall Road
 Hampden Park Industrial Estate
 Eastbourne East Sussex, BN22 9AN
 United Kingdom
 Phone: +44 1323 452000
 Fax: +44 1323 503369
 Email: info@hmdkontro.com

Worldwide Sales Headquarters
 Unit 2 Harvington Business Park
 Hampden Park Industrial Estate
 Brampton Road
 Eastbourne East Sussex, BN22 9BN
 United Kingdom
 Phone: +44(0) 1323 452125

All information provided is subject to change without notice.
 © 2013 Sundyne, LLC
 All Rights Reserved. Other logos and trade names are property of their respective owners.

Ansimag KM Brochure
 072313: US (v.2) POD



Sundyne LMV 311 API-610 (OH6) Single-Stage Pump

Headquartered in Arvada, Colo., USA, Sundyne is a leading manufacturer of highly reliable and efficient centrifugal pumps and compressors for use in the oil and gas, petrochemical, chemical, power generation and water processing industries.

Built to exacting API, ISO and ANSI / ASME standards, Sundyne products run reliably for years without the need for an expensive overhaul. With over 1 million custom

combinations available, our integrally geared designs reduce footprints up to 75%, maximizing valuable space; while our innovative sealless pumps eliminate unacceptable emissions, advancing worksite safety and environmental stewardship. The choice is obvious: Sundyne technology delivers the increased reliability and efficiency you demand.



HMD/Kontro GSP API 610 and API 685 magnet drive pump

Sundyne pumps and compressors represent a superior performance alternative for fluid handling professionals struggling with high energy and maintenance costs. Sundyne dramatically reduces operational expenses – which can account for as much as 96% of your budget – by custom engineering products to meet your industrial process' Best Efficiency Point.

For more information about Sundyne products, please visit www.sundyne.com



Pinnacle API 617, multi-stage centrifugal integrally geared compressor



Sundyne BMC-337 is a single-stage centrifugal compressor

