

LABTOP®



Integrated Pump System



A Simplified Solution

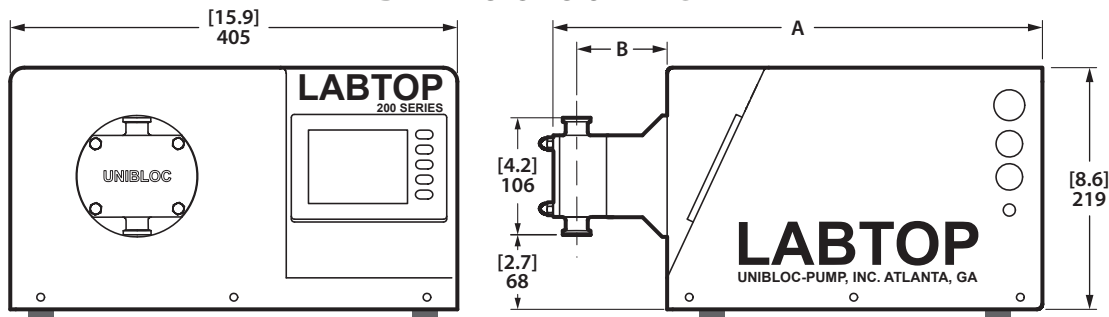
LABTOP® is Unibloc's patented solution for the biotechnology and pharmaceutical industries. Its "plug and go" design is simple and efficient, and has made the LABTOP Series the top-selling complete pumping solution for over 20 years. Composed of a UNIBLOC® pump, motor, and controller enclosed in a stainless steel canopy, the LABTOP series offers unmatched simplicity and versatility. The compact and highly mobile design is perfect for filtration, chromatography, pilot applications, R&D, and more.



200 Series

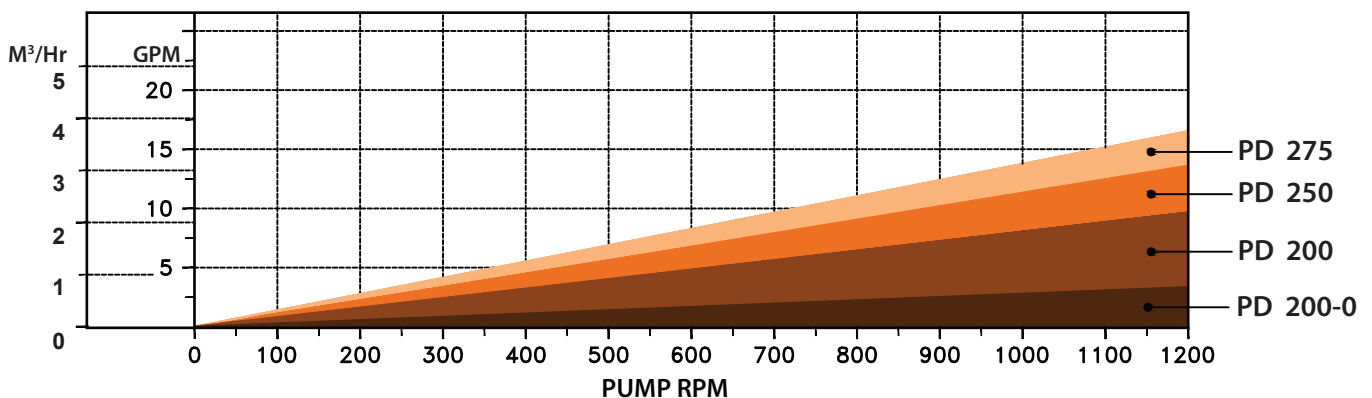
- Touch Screen Interface
- All Stainless Steel construction
- Plug-in-the-wall unit for 1x110V or 1x220V
- Maintain pressures up to 90 PSIG
- Compact Design
- High-grade Polish & Electropolish Available
- Bi-Directional Flow
- All materials are FDA/USP Class VI compliant
- Vertical Mounting for full drain ability
- Each unit performance tested and documented
- Full MTR documentation available upon request
- Hastelloy C & Low-Ferrite SS pumps available

DIMENSIONS & WEIGHT



MODEL		A	B	WT LBS/ KG
200-0	IN	16.7	2.8	78
	MM	425	70	35
200	IN	17.1	3	78
	MM	435	76	35
250	IN	17.5	3.2	79
	MM	443	82	36
275	IN	17.8	3.4	80
	MM	452	85	37

CAPACITY CHART

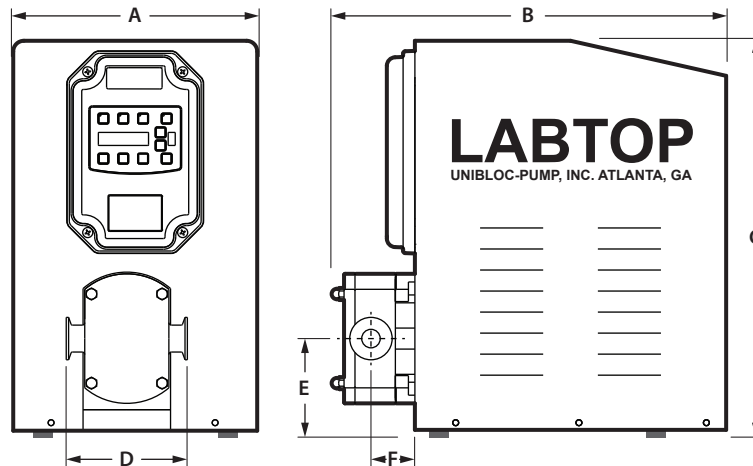


300 & 400 Series

- All Stainless Steel construction
- Plug-in-the-wall unit for 1x110V or 1x220V(300 Series) or 3x220V (400 Series) input
- Maintain pressures up to 90 PSIG
- Bi-Directional Flow
- All materials are FDA/USP Class VI compliant
- Each unit performance tested and documented
- Full MTR documentation available upon request
- Hastelloy C & Low-Ferrite SS pumps available
- Front Cover Drain available for full drainability
- High-grade Polish & Electropolish available

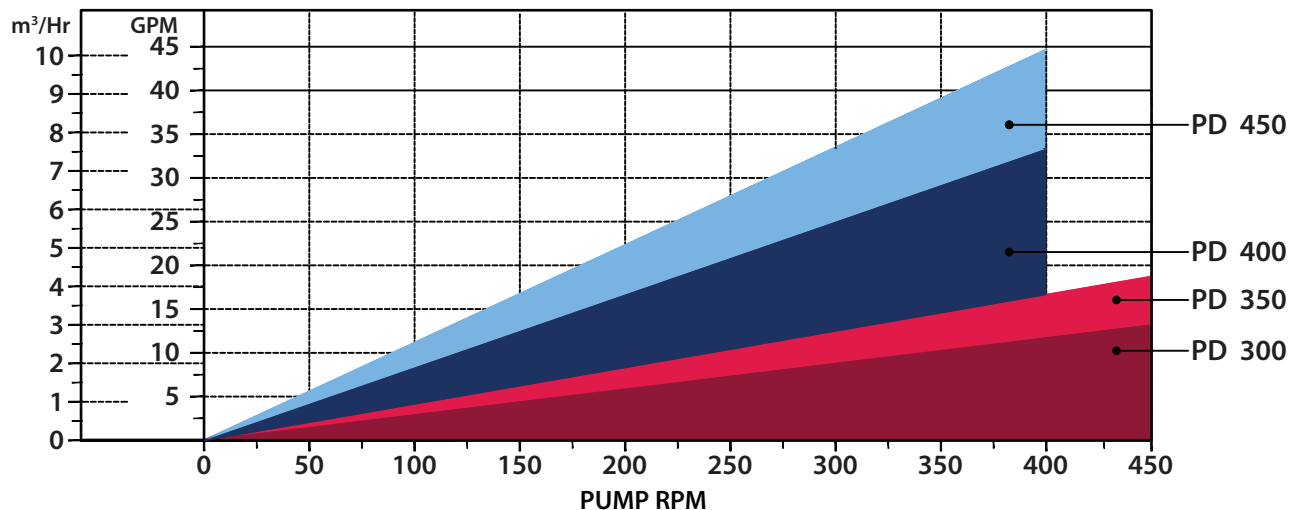


DIMENSIONS & WEIGHT



MODEL		A	B	C	D	E	F	WT LBS/ KG
300	IN	11.4	18.5	18.8	5.7	4.8	2.0	99
	MM	290	469	477	144	123	52	45
350	IN	11.4	19.3	18.8	5.7	4.8	2.3	103
	MM	290	491	477	144	123	58	47
400	IN	13.4	25.3	28.9	7.6	6.5	1.5	257
	MM	340	643	733	192	164	39	117
450	IN	13.4	25.9	28.9	7.6	6.5	1.8	301
	MM	340	657	733	192	164	45	137

CAPACITY CHART





UNIBLOC[®]-PUMP

JH 
PROCESS EQUIPMENT INC.