



PROCESS EQUIPMENT INC.

SEALLES VERTICAL PUMP SERIES

For scrubber

YD-41VK
YD-42VK

YD-50VK
YD-65VK

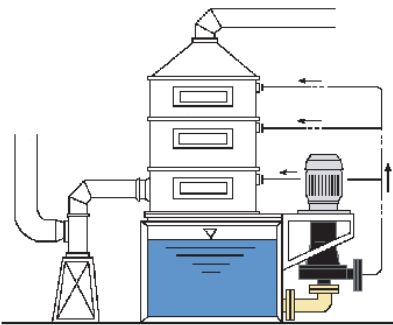
For printed circuit boards
and etching machines

YD-50VP

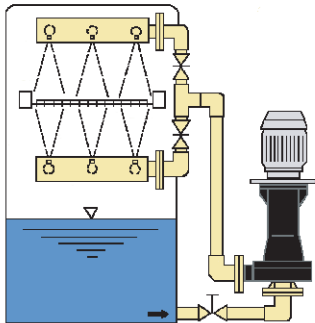
YD-65VP

DRYFREE

● Circulating pump for scrubber



● Spray pump for etching



CFR PP

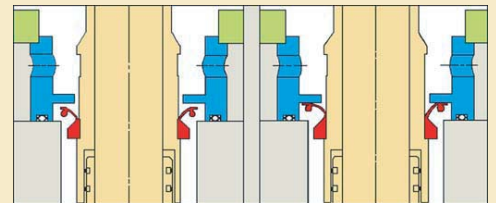
(Carbon Fiber Reinforced Polypropylene)

The main body of DRYFREE is composed of a carbon fiber reinforced polypropylene resin, which resists corrosion from a wide range of chemicals. It is also constructed to keep metallic parts from contacting the liquid. This unique design combined with the resin construction enables the pump to withstand a much wider range of chemicals than conventional vertical pumps.

CFR PP is not only resistant to corrosion but is also resistant to heat. DRYFREE stands out as an excellent heat-resisting performance pump among the high corrosion resisting chemical pumps

Gas Seal Mechanism

During operation, the tip of the dry seal moves by centrifugal force, and rotates without contact. At the same time, it prevents the leakage of gas and the lip closely adheres during stop to seal gas.



During Operation

During Stop

FEATURES

- Gas seal mechanism
- Sealless construction
- Resistance to chemicals
- Resistance to heat
- Bearing-less
- Replaceable cantilevered sleeved stainless steel shaft
- Reducing air entrapment and improving suction performance

*Possible temperature range: 32°F to 185°F

MODEL DESIGNATION & PERFORMANCE SPECIFICATION

Model Description: **Y D - 4 1 V K - 1 6 - P**
 (1) (2) (3) (4)

(1)

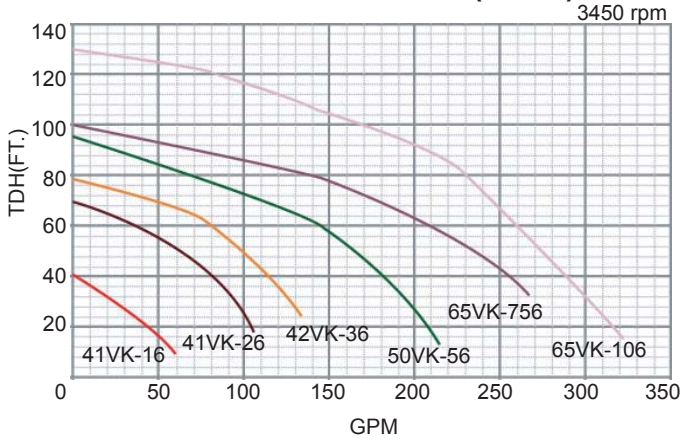
Model	VK Series (60Hz Specific Gravity 1.1)					
	YD-41VK-16-P	YD-41VK-26-P	YD-42VK-36-P	YD-50VK-56-P	YD-65VK-756-P	YD-65VK-106-P
Suction/Discharge	2.0" x 1.5"	2.0" x 1.5"	2.0" x 1.5"	2.5" x 2.0"	3.0" x 2.5"	3.0" x 2.5"
Motor Output (HP)	1	2	3	5	7.5	10
Max Flow (GPM)	60	106	134	214	267	323
Max Head (FT)	40	70	78	95	100	130

Model	VP Series (60Hz Specific Gravity 1.4)	
	YD-50VP-36-P	YD-50VP-56-P
Suction/Discharge	2.5"/2.0" x 2.0"	2.5"/2.0" x 2.0"
Motor Output (HP)	3	5
Max Flow (GPM)	110	147
Max Head (FT)	69	96

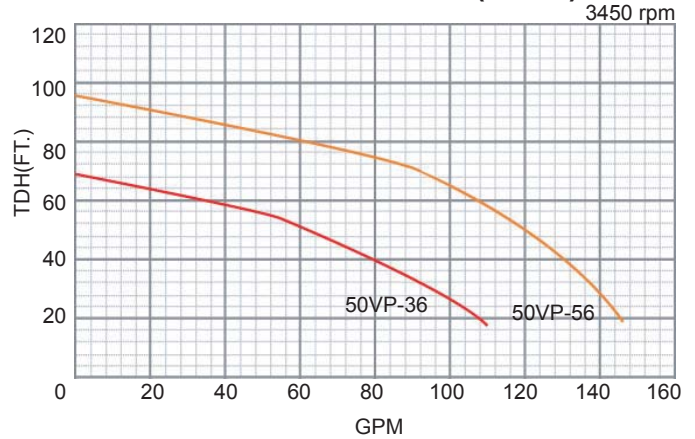
- (2) Motor Output
 1: 1 HP 5: 5 HP
 2: 2 HP 7.5: 7.5 HP
 3: 3 HP 10: 10 HP
- (3) Operating Frequency for Motor
 5: 50Hz
 6: 60Hz
- (4) Material
 Carbon Fiber Reinforced Polypropylene

PERFORMANCE CURVE

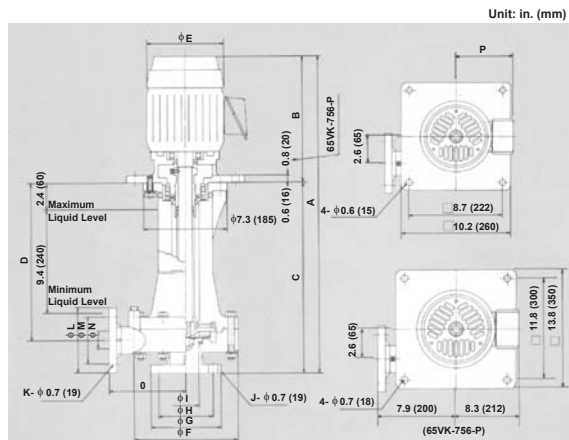
VK PERFORMANCE CURVES (60 Hz)



VP PERFORMANCE CURVES (60 Hz)



DIMENSION



(60HP S.G 1.1)

MODEL	A	B	C	D	φE	φF	φG	φH	φI	J	K	φL	φM	φN	O	P
YD-41VK-16-P	27.6 (700)	10.8 (275)	16.7 (425)	13.8 (350)	6.7 (170)	9.1 (230)	6.1 (155)	4.7 (120)	2.0 (50)	0.2 (4)	0.2 (4)	5.7 (145)	4.1 (105)	1.6 (40)	6.7 (170)	5.6 (142)
YD-41VK-26-P	29.7 (753)	12.9 (328)	16.7 (425)	13.8 (350)	8.0 (202)	9.1 (230)	6.1 (155)	4.7 (120)	2.0 (50)	0.2 (4)	0.2 (4)	5.7 (145)	4.1 (105)	1.6 (40)	6.7 (170)	6.1 (156)
YD-42VK-36-P	29.7 (753)	12.9 (328)	16.7 (425)	13.8 (350)	8.0 (202)	9.1 (230)	6.1 (155)	4.7 (120)	2.0 (50)	0.2 (4)	0.2 (4)	5.7 (145)	4.1 (105)	1.6 (40)	6.7 (170)	6.1 (156)
YD-50VK-56-P	31.0 (788)	14.3 (363)	16.7 (425)	13.8 (350)	9.6 (243)	10.2 (260)	6.9 (175)	5.5 (140)	2.6 (65)	0.2 (4)	0.2 (4)	6.1 (155)	4.7 (120)	2.0 (50)	7.9 (200)	7.0 (177)
YD-65VK-756-P	33.9 (860)	17.1 (435)	16.7 (425)	13.8 (350)	11.2 (285)	10.2 (260)	7.5 (190)	5.9 (150)	3.2 (80)	0.3 (8)	0.2 (4)	6.9 (175)	5.5 (140)	2.6 (65)	7.9 (200)	8.4 (212)

Note: The measurement of YD-65VK-106-P is the same as that of YD-65VK-756-P.

(60HP S.G 1.4)

MODEL	A	B	C	D	φE	φF	φG	φH	φI	J	K	φL	φM	φN	O	P
YD-50VP-36-P	29.7 (753)	12.9 (328)	16.7 (425)	13.8 (350)	8.0 (202)	10.2 (260)	6.9 (175)	*5.5/4.7 (140/120)	2.6 (65)	0.2 (4)	0.2 (4)	6.1 (155)	4.7 (120)	2.0 (50)	7.9 (200)	6.1 (156)
YD-50VP-56-P	31.0 (788)	14.3 (363)	16.7 (425)	13.8 (350)	9.6 (243)	10.2 (260)	6.9 (175)	*5.5/4.7 (140/120)	2.6 (65)	0.2 (4)	0.2 (4)	6.1 (155)	4.7 (120)	2.0 (50)	7.9 (200)	7.0 (177)

*For the suction side flange, JIS 10K 2.5" (65K) is used as the standard, but a flange 2.0" (50A) can be used. The dimensions and parts may be subject to change without prior notice.
 *The measurement of A and B is the specification for Japanese motors.



YD-VKVP