

AP 4 & 5 Series Centrifugal Pumps Horizontal (AC), Vertical (AV), and Vertical Cantilevered (AK)



AP Series Typical Applications

- Chemical processing
- Plating, photo processing
- Printed circuit boards
- Pharmaceutical
- Waste water treatment

The AP Series

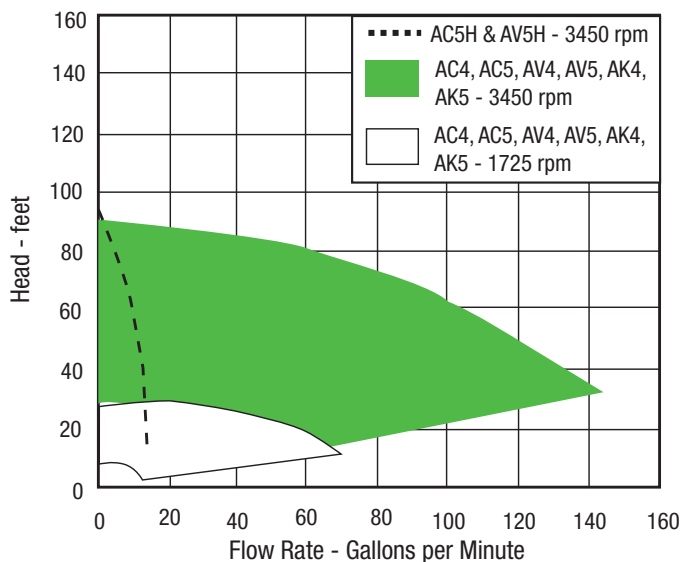
Rugged, metallic centrifugal pumps are compact in design, easy to operate and handle, and economically priced. Built from high quality 316 stainless steel, these pumps are available in horizontal, vertical, or vertical cantilevered designs. All wetted parts are constructed of corrosion resistant materials to withstand the harshest chemical environments.

The AP Series accept standard NEMA and IEC frame motors and feature standard NPT or BSP threaded ports with tri-clamp or flanges optional.

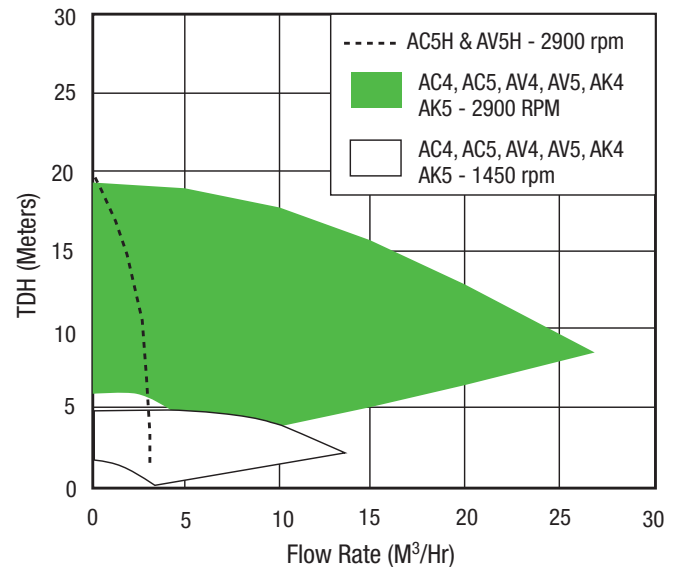
Features

- Corrosion resistant 316 stainless steel
- Close coupled
- Back pull out design for easy service
- Compact design with secure V-clamp (304 stainless steel)
- Standard, recessed, or high head impellers
- Bellows Type 21 seals (AC models only)
- SS mounting plate for in-tank installation (AV models only)
- FKM, EPDM, or carbon lower bushings (AV models only)
- ATEX certified (AC models with ATEX motors only)
- FDA compliant (AC models with Buna elastomer only)
- 1.8 specific gravity with no impeller trim
- Maximum temperature: 300°F (149°C)
- Maximum working pressure: 100 psi (6.9 bar)

60 Hz 3450/1725 rpm



50 Hz 2900/1450 rpm





Specifications

Model	Suction x Discharge	Impeller Size		Maximum Flow		Maximum Head		Motor Drive	
	FNPT or FBSP inch	inch	cm	3450 rpm gpm	2900 rpm m ³ /h	3450 rpm ft	2900 rpm m	3450 rpm hp	2900 rpm kW
AC4/AV4/AK4	3/4 x 1/2	3 3-1/4 3-1/2	7.6 8.2 8.8	33 - 39	5.9 - 7.0	44 - 60	8.4 - 11.7	1/2 - 1	0.18 - 0.37
AC5 AV5/AK5*	1-1/4 x 3/4 1-1/2 x 1-1/4* 2 x 1-1/2	4 4-1/4 4-1/2 4-3/4	10.1 10.8 11.4 12.0	70 - 145	12 - 26.3	35 - 89	6.1 - 18.5	3/4 - 3	0.37 - 1.1
AC5H/AV5H	1/2 x 1/4	4-3/4	12.0	17	3.1	96	19	1/2 - 3/4	0.18 - 0.25

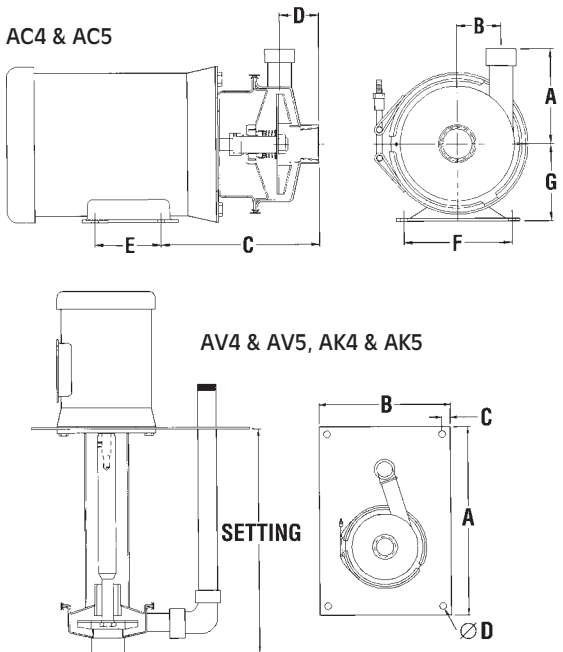
Model	Suction x Discharge	Impeller Size		Maximum Flow		Maximum Head		Motor Drive	
	FNPT or FBSP inch	inch	cm	1725 rpm gpm	1450 rpm m ³ /h	1725 rpm ft	1450 rpm m	1725 rpm hp	1450 rpm kW
AC4/AV4/AK4	3/4 x 1/2	3 3-1/4 3-1/2	7.6 8.2 8.8	16 - 18.5	2.8 - 3.3	9.5 - 13.2	2 - 2.8	1/4	0.18
AC5 AV5/AK5*	1-1/4 x 3/4 1-1/2 x 1-1/4* 2 x 1-1/2	4 4-1/4 4-1/2 4-3/4	10.1 10.8 11.4 12.0	38 - 72	6.8 - 13.1	7 - 21	0.6 - 4.4	1/4 - 1/2	0.18
AC5H/AV5H	1/2 x 1/4	4-3/4	12.0	8.5	1.5	24	5.1	1/3	0.18

*AV/AK5 available with 1-1/2 x 1-1/4 port size only

Dimensions

MOTOR FRAME	SUCTION x DISCHARGE	A	B	C*	D	E	F	G
56C (in)	2 x 1-1/2	5-1/4	1-3/8	7-1/2	2	3	4-7/8	3-1/2
	1-1/2 x 1-1/4	5-1/4	1-3/8	7-3/8	1-7/8	3	4-7/8	3-1/2
	1-1/4 x 3/4	4-1/4	1-7/8	7-1/4	1-3/4	3	4-7/8	3-1/2
	3/4 x 1/2	4	1-5/8	6-3/4	1-1/2	3	4-7/8	3-1/2
	1/2 x 1/4	4	2-1/4	6-5/8	1-3/4	3	4-7/8	3-1/2
80/90 (cm)	5.08 x 3.81	13.3	3.4	20	5	10	12.5/14	8/9
	3.81 x 3.18	13.3	3.4	20	4.7	10	12.5/14	8/9
	3.18 x 1.91	10.7	4.7	19	4.4	10	12.5/14	8/9
71 (cm)	1.91 x 1.27	10.1	4.1	18	3.8	9	11.2	7.1
	1.27 x .64	10.1	5.7	17	4.4	9	11.2	7.1

*Approximate dimensions on the 80/90 and 71 frames. Confirm with factory before ordering.



MOTOR FRAME	SUCTION	DISCHARGE	SETTING	A	B	C	D
56J (in)	1-1/2	1-1/4	12/24/36	15	10	3/4	7/16
	3/4	1/2	12/24/36	15	10	3/4	7/16
	1/2	1/4	12/24/36	15	10	3/4	7/16