



Sealed, High Viscosity

High viscosity sealed design with PTFE screw-type lifting compressors for liquids up to 15,000 cP.

- Features:** Stainless steel tube construction
 Tube interchangeable with motors
 Up to 15,000 cP with 3 hp motor

Applications: Oils, resins, solvents*, adhesives, polymers, gear lube, glycerin



BTS

Tube Length
40" (102cm)

Construction Specifications

| Pump Model | Construction Materials | | Tube Diameter in (cm) | Discharge Size & Type | Hose Size in (cm) | Max. Temp. | | Min. Temp. | |
|------------|------------------------|---------------------------|--------------------------|--------------------------|----------------------|------------|----|------------|-----|
| | Outer Tube | Internals | | | | °F | °C | °F | °C |
| BTS | 316 Stainless Steel | 316 Stainless Steel, PTFE | 2 (5.1) | 1-1/2" Hose Barb | 1-1/2 (3.8) | 200 | 93 | -20 | -29 |

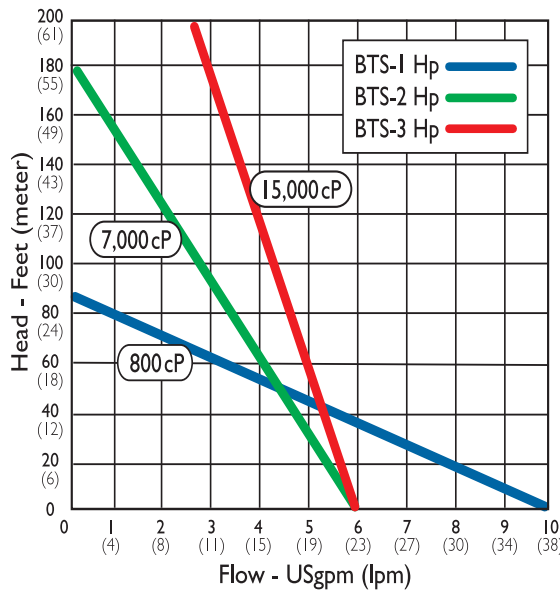
Performance Data

| Maximum Flow** | | Maximum Head** | | Maximum Specific Gravity | Maximum Viscosity | |
|-----------------------|------------------|--------------------|---------------|--------------------------|-------------------|----------|
| Electric gpm (lpm) | Air gpm (lpm) | Electric ft (m) | Air ft (m) | | Electric | Air |
| 10 (38) | 10 (38) | 200 (61) | 200 (61) | 1.8 | 15000 cP | 15000 cP |

Viscosity Data

| Viscosity (cP) | 800 | 3,000 | 5,000 | 7,000 | 15,000 |
|-----------------------|---------|---------|----------|----------|----------|
| Max Flow gpm (lpm) | 10 (38) | 6 (23) | 6 (23) | 6 (23) | 6 (23) |
| Max Head feet (meter) | 80 (24) | 80 (24) | 125 (38) | 175 (53) | 200 (61) |

Note: Maximum viscosity based on 60 Hz operation.



*When pumping flammables or combustibles, use explosion proof electric or air drive motors on stainless steel tubes with static protection kit.
 Performance will vary with changes in fluid viscosity and specific gravity. All testing done at 60 Hz. **Performance reduced at 50 Hz.
 BT Series is not recommended for pumping thin water-like fluids.

BT Series Motors

MOTOR DATA



TEFC
(M15, M16, M17, M27, M28, M29, M39, M40)
Ex-Proof TEFC
(M24X, M25X, M26X, M33X, M34X)

Air
(M18, M19, M20)

| Model | Description | Certification | Requirements | Output | RPM | Maximum Viscosity cP |
|--|---|---------------|---------------------------|--------|-------------|----------------------|
| | | | | kW | | |
| TEFC (Totally Enclosed Fan Cooled), IP54 Motors | | | | | | |
| M15 | Continuous duty, 12 ft. (3.5 m) cord. | * | 230-460V/3ph/60 Hz | 0.75 | 3,450 | 800 |
| M16 | | | | 1.5 | 1,725 | 7,000 |
| M17 | | | | 2.2 | 1,725 | 15,000 |
| M27 | | | 115-230V/1ph/60 Hz | 0.75 | 3,450 | 800 |
| M28 | | | | 1.5 | 1,725 | 7,000 |
| M29 | | | | 2.2 | 1,725 | 15,000 |
| M39 | | | 220-380-440V/3ph/50-60 Hz | 0.75 | 2,850 | 1,000 |
| M40 | | | | 1.5 | 1,425 | 8,500 |
| M41 | | | | 2.2 | 1,425/1,725 | 15,000 |
| Explosion Proof Motors | | | | | | |
| M33X | Suitable for use in hazardous areas, ideal for flammable liquids. Continuous duty rated. | * | 115-230V/1ph/60 Hz | 0.75 | 3,450 | 800 |
| M34X | | | | 1.5 | 1,725 | 7,000 |
| M24X | | | 230-460V/3ph/60 Hz | 0.75 | 3,450 | 800 |
| M25X | | | 230-460V/3ph/50-60 Hz | 1.5 | 1,450/1,725 | 7,000 |
| M26X | | | | 2.2 | 1,450/1,725 | 15,000 |
| Air Motors^{†‡} | | | | | | |
| M18 | Lightweight. Operates from customer-supplied compressed air source. Variable speed. Muffler and control valve supplied. | CE | 100 psi @ 40-70 cfm | 0.75 | 300-3,000 | 800 |
| M19 | | | 100 psi @ 80-120 cfm | 1.5 | 300-3,000 | 7,000 |
| M20 | | | 100 psi @ 120-170 cfm | 2.2 | 300-2,500 | 15,000 |

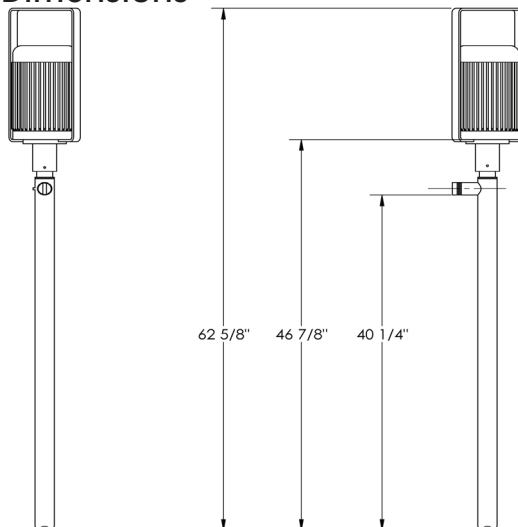
*Carries independent testing laboratory approval.

†Motor suitable for hazardous areas that do not require independent certification.

‡An air motor is a non-electrical device meaning possibility of explosion from igniting flammables/combustibles is reduced. Air motor performance will depend upon user's system setup.

Note: Motor adapters are also available to permit installation of customer supplied NEMA or IEC motors.

Dimensions



NOTE: DIMENSIONS ARE FOR REFERENCE ONLY

Accessories

Drum Adapters



Static Protection Kit



Discharge Hoses

