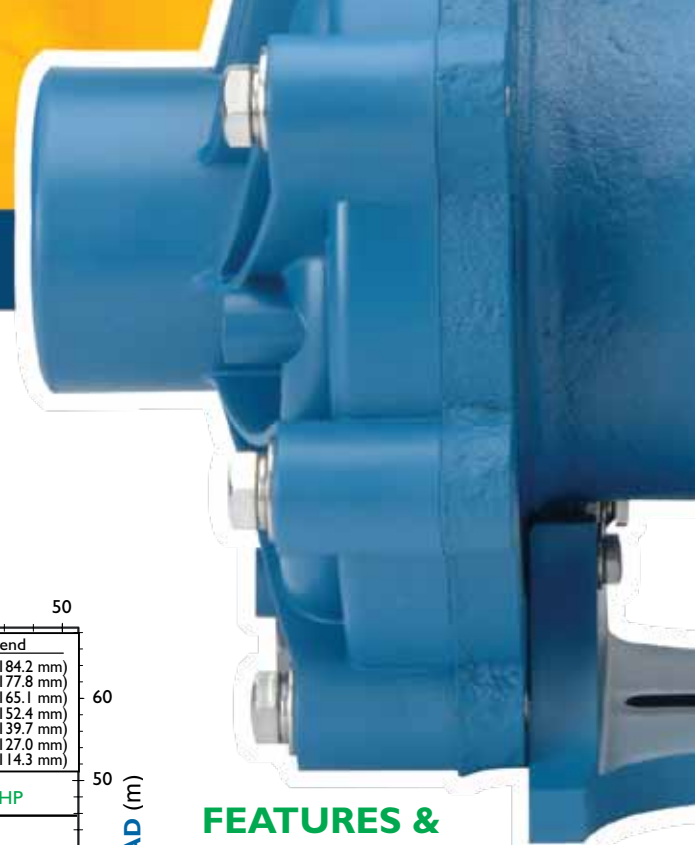
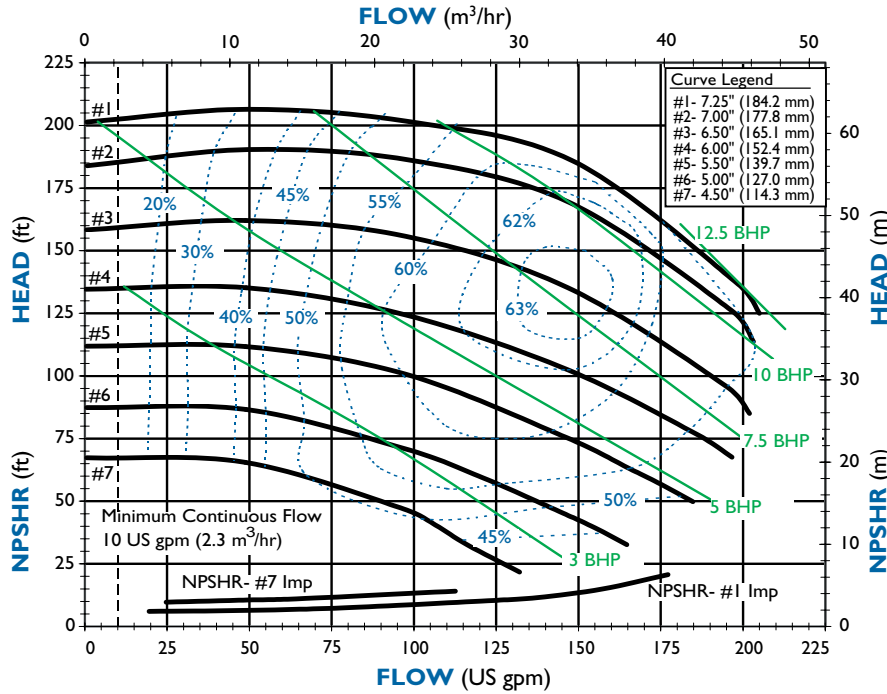


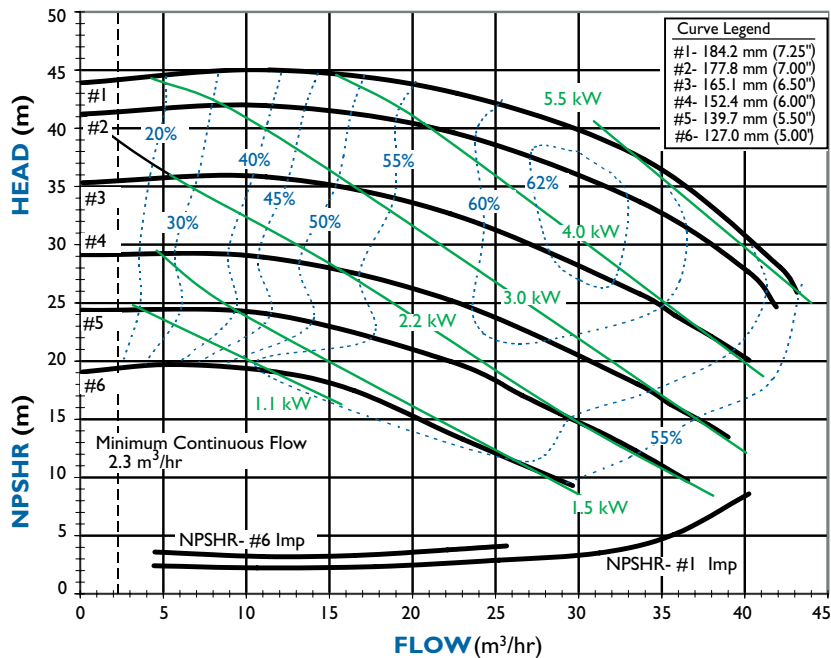
DB Series: Model DB22



DB22 PERFORMANCE - 3450 RPM



DB22 PERFORMANCE - 2900 RPM



FEATURES & CAPABILITIES

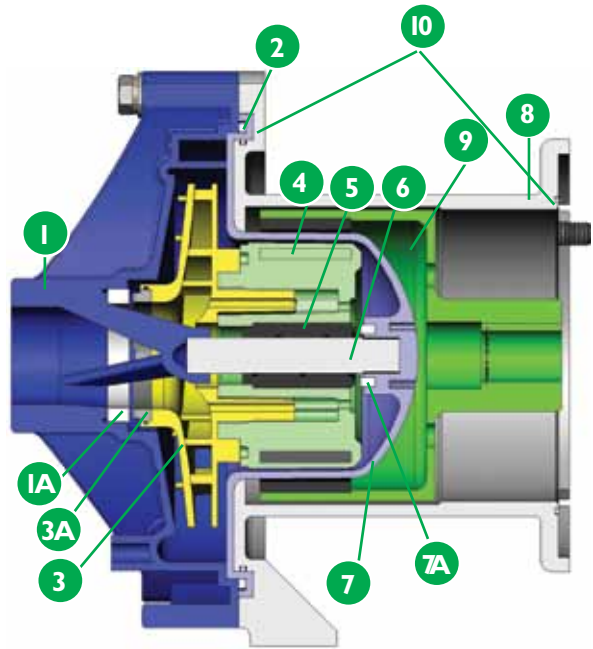
- + Five-year warranty
- + Extended run dry ability (with carbon bushing)
- + High operating efficiency
- + Easy set, measurement-free drive
- + Polypropylene or PVDF construction
- + Open or closed impeller options
- + Powerful neodymium magnets
- + Close-coupled design
- + Threaded (NPT or BSP), union or flange connections
- + 1/8 inch impeller trims available
- + Vertical installation option with IEC motor
- + Mounts to NEMA and IEC (B5 and B14) motor frames
- + Replaceable shaft
- + ISO 1940 G2.5 balancing
- + CE certified/ATEX available
- + Working pressure up to 90 psi (6.2 bar)
- + Up to 1.8 SG
- + Viscosity up to 150 cP
- + Polypropylene—180° F (82° C)
- + PVDF—220° F (104° C)

APPLICATIONS

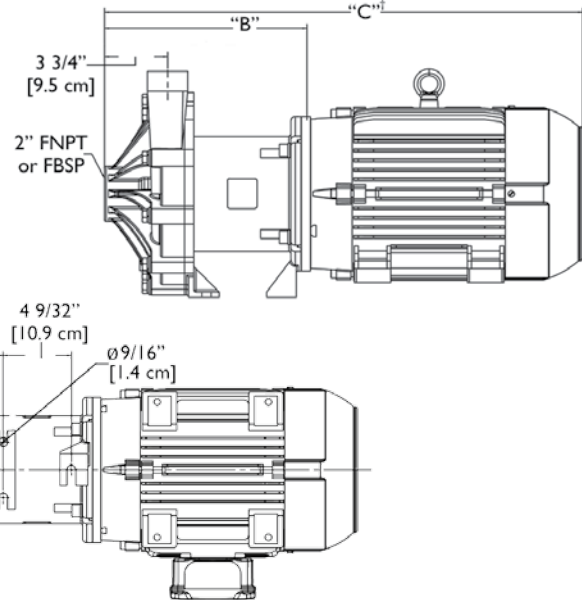
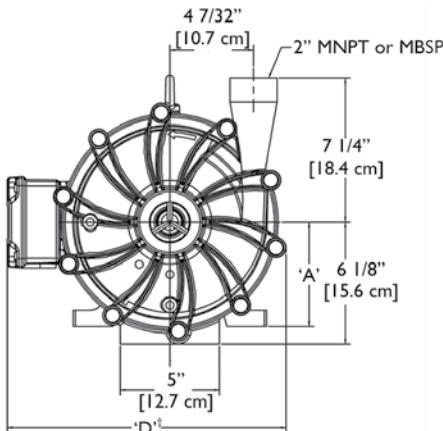
- + Chemical processing
- + Plating
- + Water and wastewater
- + Electronics
- + Pharmaceuticals
- + Wet scrubber
- + Pulp and paper
- + Heat exchanger

Notes: Performance curves above are based on closed impellers. Contact the factory for performance based on open impellers. Maximum power @ 3450 RPM is 13 hp (9.7 kW). [Consult factory for applications above 10 hp (7.5 kW)]. At 2900 RPM, maximum power is 7.5 kW (10 hp).

| Description | Polypropylene Models | PVDF Models |
|---|---|--|
| 1 Impeller housing | Glass-fiber reinforced polypropylene | Carbon-fiber reinforced PVDF |
| 1A Impeller housing thrust ring options | High-purity alumina ceramic, silicon carbide | |
| 2 O-ring options | FKM, EPDM, Simriz®, Kalrez® | |
| 3 Impeller | Glass-fiber reinforced polypropylene | Carbon-fiber reinforced PVDF |
| 3A Impeller thrust washer options | Fluorosint®, silicon carbide | |
| 4 Inner drive | Neodymium iron boron magnets encapsulated in unfilled polypropylene | Neodymium iron boron magnets encapsulated in unfilled PVDF |
| 5 Bushing options | Carbon, PTFE, silicon carbide | |
| 6 Shaft options | High-purity alumina ceramic, Hastelloy® C, silicon carbide | |
| 7 Barrier | Glass-fiber reinforced polypropylene | Carbon-fiber reinforced PVDF |
| 7A Barrier thrust ring | High-purity alumina ceramic | |
| 8 Motor adapter | Ductile iron | |
| 9 Outer drive magnet | Nickel-plated, neodymium iron boron magnets/steel | |
| 10 Motor adapter sealing kit (NEMA only) | Buna N (std), FKM, EPDM | |



Kalrez® is a registered trademark of DuPont Performance Elastomers
 Simriz® Perfluoroelastomer is a registered trademark of the Simrit® division of Freudenberg-NOK
 Hastelloy® C is a registered trademark of Haynes International, Inc.
 Fluorosint® is a registered trademark of Quadrant Engineering Plastics.



Also available 2" x 2" 150 lb. ANSI-ISO PN20/PN40 flange, 3" x 2" ANSI20 flange or 63 mm x 63 mm union connection

| Motor Frame | A | B | C [†] | D [†] | Weight - lbs. [kg] | |
|----------------------------|--------------------|---------------------|---------------------|---------------------|--------------------|-----------|
| | | | | | PP | PVDF |
| NEMA 184TC | 4-1/2" [11.4 cm] | 11-13/32" [29.0 cm] | 26-7/16" [67.2 cm] | 12-15/32" [31.7 cm] | 40 [18.1] | 44 [20.0] |
| NEMA 213/215TC | 5-1/4" [13.3 cm] | 12" [30.5 cm] | 28-5/16" [71.9 cm] | 14-1/32" [35.7 cm] | 45 [20.4] | 49 [22.2] |
| IEC 90 w/B14 or B5 | 3-17/32" [9.0 cm] | 12-5/16" [31.2 cm] | 23-5/16" [59.2 cm] | 11-11/16" [29.7 cm] | 48 [21.8] | 52 [23.6] |
| IEC 100 w/B14 or B5 | 3-15/16" [10.0 cm] | 12-5/16" [31.2 cm] | 24-23/32" [62.8 cm] | 12-1/8" [30.8 cm] | 48 [21.8] | 52 [23.6] |
| IEC 112 w/B14 or B5 | 4-13/32" [11.2 cm] | 12-5/16" [31.2 cm] | 25-15/32" [64.7 cm] | 12-1/8" [30.8 cm] | 48 [21.8] | 52 [23.6] |
| IEC 132 w/B14 or B5 | 5-3/16" [13.0 cm] | 12-3/8" [31.4 cm] | 28-15/32" [72.3 cm] | 14-3/16" [36.0 cm] | 51 [23.1] | 55 [24.9] |

Note: Contact factory for dimensions on flanged or union models. Dimensions and weights are for reference only.
[†]Varies with motor manufacturer