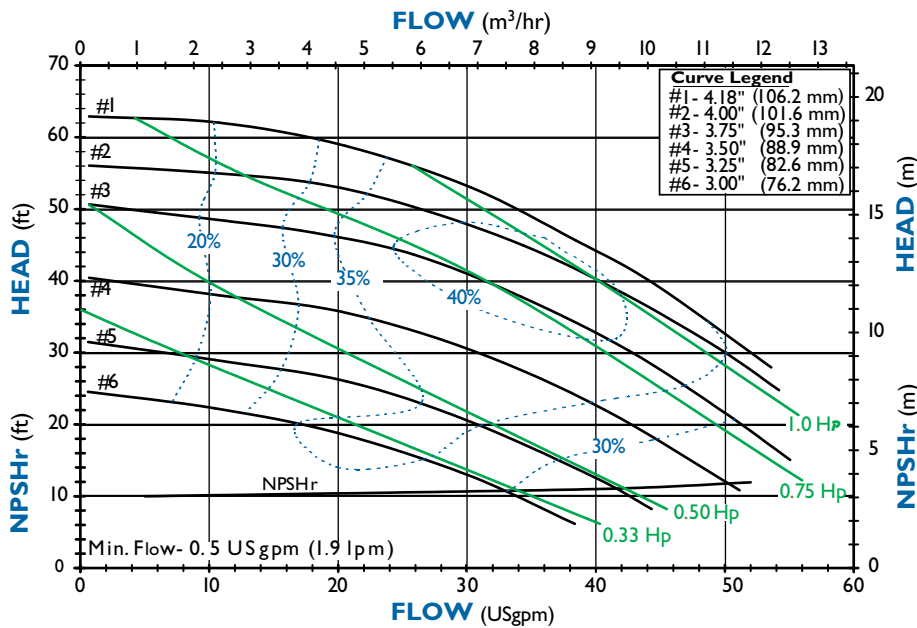




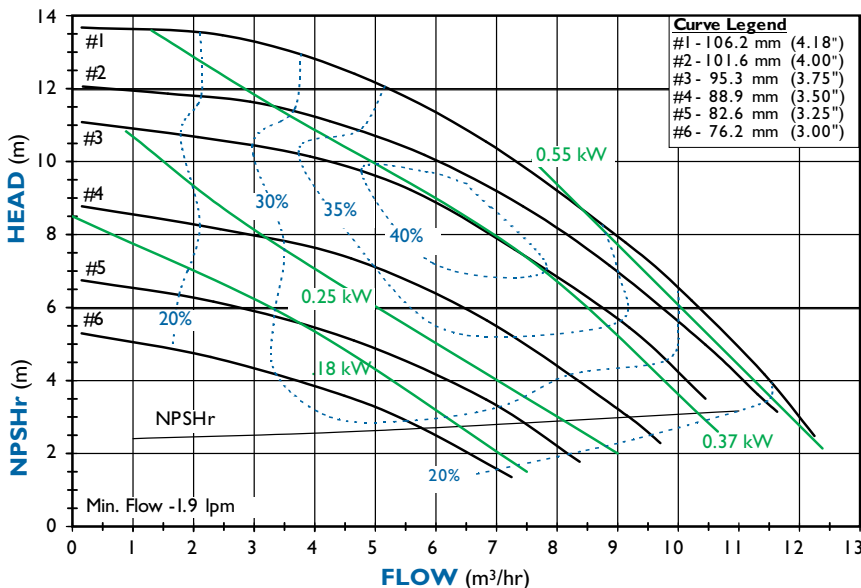
# SP Series: Model SP10



### SP10 PERFORMANCE Flooded Suction 3450 RPM\*



### SP10 PERFORMANCE Flooded Suction 2900 RPM\*



Notes: Performance curves above are based on flooded suction.

\*Performance will vary with suction lift conditions.

**Warning! SP Series not recommended for pumping flammables!**

## FEATURES & CAPABILITIES

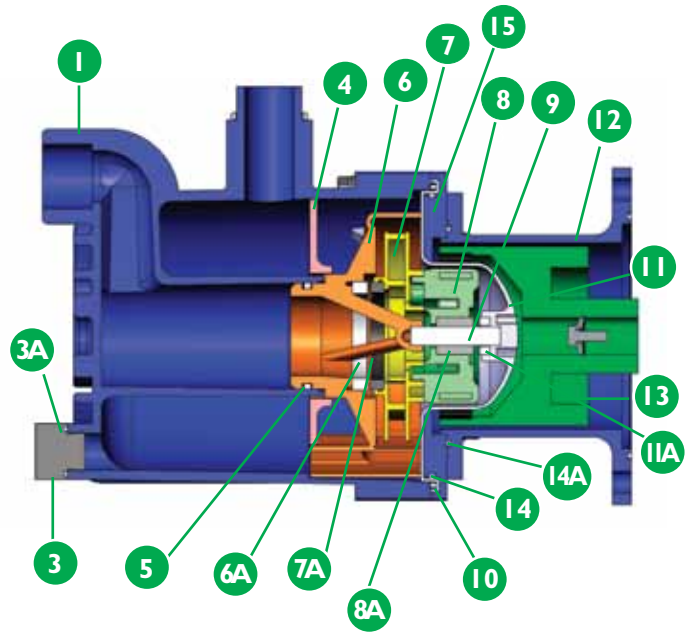
- + Self-priming, magnetic drive
- + Five-year warranty
- + Provides up to 25 ft. (7.6 m) lift or equivalent
- + Primes 15 ft. (4.6 m) in < 2 minutes with maximum diameter impeller
- + Retains fluid for re-priming when shut off without a check valve
- + Extended run dry ability (with carbon bushing)
- + High operating efficiency
- + Polypropylene or PVDF construction
- + Powerful neodymium magnets
- + Close-coupled design
- + Threaded (NPT or BSP), union or flange connections
- + Back pullout design
- + Mounts to NEMA and (B5 & B14) IEC motor frames
- + Easy set measurement free drive
- + ISO 1940 G2.5 balancing
- + CE certified
- + High working pressure up to 80 psi (5.5 bar)
- + Specific gravity over 1.8
- + Polypropylene—180° F (82° C)
- + PVDF—220° F (104° C)

## APPLICATIONS

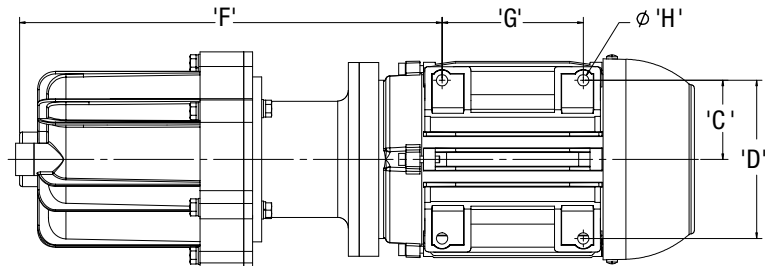
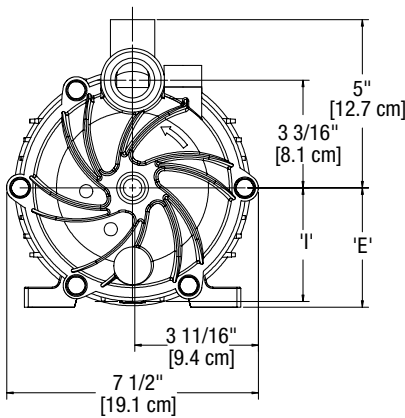
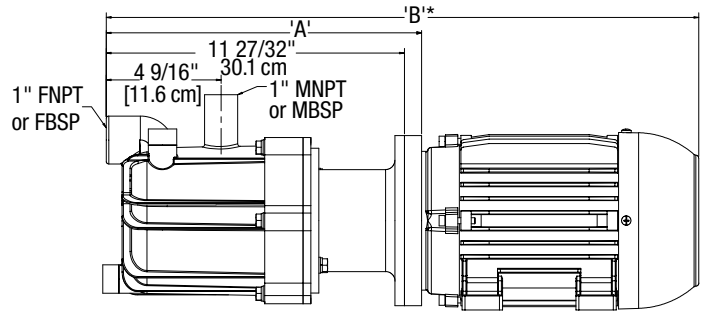
- + Rail cars
- + Tanker trucks
- + Tanks with an opening on top
- + Bulk storage to day or process tank transfer
- + Sumps and reservoirs
- + Below grade storage tanks
- + Over-the-wall applications
- + When run-dry protection is needed
- + and many more!

Description	Polypropylene Models	PVDF Models
<b>1</b> Housing		
<b>4</b> Separator plate	Glass-fiber reinforced polypropylene	Carbon-fiber reinforced PVDF
<b>6</b> Inner volute		
<b>7</b> Impeller		
<b>3A, 5, 10</b> O-ring options	FKM, EPDM	
<b>3</b> Fill and drain plugs*	Polypropylene	PVDF
<b>6A</b> Inner volute thrust ring options	High purity alumina ceramic, silicon carbide	
<b>7A</b> Impeller thrust washer options	Molybdenum disulfide filled PTFE, silicon carbide	
<b>8</b> Inner drive	Neodymium iron boron magnets encapsulated in unfilled polypropylene	Neodymium iron boron magnets encapsulated in unfilled PVDF
<b>8A</b> Bushing options	Carbon, PTFE, high purity alumina ceramic, silicon carbide	
<b>9</b> Shaft options	High purity alumina ceramic, Hastelloy® C, silicon carbide	
<b>11</b> Barrier	Glass-fiber reinforced polypropylene	Carbon-fiber reinforced PVDF
<b>11A</b> Barrier thrust ring	High purity alumina ceramic	
<b>12</b> Motor adapter	Glass fiber reinforced polypropylene	
<b>13</b> Outer drive magnets	Nickel-plated neodymium iron boron magnets/steel	
<b>14, 14A, 14B</b> Motor adapter o-rings	Buna N (std.), FKM, EPDM	
<b>15</b> Clamp ring	Carbon steel	

\*Fill plug not shown



Hastelloy® C is a registered trademark of Haynes International, Inc.



Frame Size	A	B*	C	D	E
NEMA 56C	11-27/32" (30.1 cm)	22-3/32" (56.1 cm)	2-7/16" (6.2 cm)	4-7/8" (12.4 cm)	3-1/2" (8.9 cm)
NEMA 145TC	11-27/32" (30.1 cm)	23-1/16" (58.6 cm)	2-3/4" (7.0 cm)	5-1/2" (14.0 cm)	3-1/2" (8.9 cm)
IEC63 B14/B5	12-3/16" (31.0 cm)	18-31/32" (48.2 cm)	1-31/32" (5.0 cm)	3-15/16" (10.0 cm)	2-15/32" (6.3 cm)
IEC71 B14/B5	12-3/16" (31.0 cm)	20-1/2" (52.0 cm)	2-7/32" (5.6 cm)	4-13/32" (11.2 cm)	2-25/32" (7.1 cm)
IEC80 B14/B5	12-17/32" (31.8 cm)	21-3/4" (55.2 cm)	2-15/32" (6.3 cm)	4-29/32" (12.5 cm)	3-5/32" (8.0 cm)
IEC90 B14/B5	12-17/32" (31.8 cm)	23-17/32" (59.8 cm)	2-3/4" (7.0 cm)	5-1/2" (14.0 cm)	3-17/32" (9.0 cm)

Frame Size	F	G	H	I	Pump Wt. - lbs (kg)	Motor Wt.** - lbs. (kg)
NEMA 56C	14-19/32" (37.1 cm)	3" (7.6 cm)	11/32" (0.9 cm)	3-3/8" (8.6 cm)	13 (5.9)	28 (12.7)
NEMA 145TC	14-7/32" (36.1 cm)	5" (12.7 cm)	11/32" (0.9 cm)	3-3/8" (8.6 cm)	13 (5.9)	32 (14.5)
IEC63 B14/B5	13-5/16" (33.8 cm)	3-5/32" (8.0 cm)	9/32" (0.7 cm)	3-3/8" (8.6 cm)	16.5 (7.5)	17 (7.7)
IEC71 B14/B5	14-1/16" (35.7 cm)	3-17/32" (9.0 cm)	9/32" (0.7 cm)	3-3/8" (8.6 cm)	16.5 (7.5)	22 (10.0)
IEC80 B14/B5	14-7/16" (36.7 cm)	3-15/16" (10.0 cm)	13/32" (1.0 cm)	3-15/16" (10.0 cm)	19 (8.6)	37.5 (17.0)
IEC90 B14/B5	14-23/32" (37.4 cm)	3-15/16" (10.0 cm)	13/32" (1.0 cm)	3-15/16" (10.0 cm)	19 (8.6)	37.5 (17.0)

Dimensions and weights are for reference only.

\*Varies with motor manufacturer.

\*\* Depends upon motor manufacturer and style of motor chosen.