



Sealed, Light/Medium Viscosity

Sealed mixer with 4-blade turbine mixing/blending capability. Ideal for rapid suspension of settled solids.

- Features:** 316SS tube construction
 Top-to-bottom mixing action
 Tube interchangeable with motors
 Up to 1000 cP with electric or air motor

Applications: Dyes, inks, paints, stains, mild corrosives, solvents*, flammables

TMS



Tube Length
40" (102cm)

Construction Specifications

| Model | Construction Materials | | Tube Dia. in (cm) | Max. Temp. | | Min. Temp. | |
|-------|------------------------|---------------------------|----------------------|------------|----|------------|-----|
| | Outer Tube | Internals | | °F | °C | °F | °C |
| TMS | 316 Stainless Steel | 316 Stainless Steel, PTFE | 2 (5.1) | 200 | 93 | -20 | -29 |

Performance Data

| Maximum Circulation | Maximum Specific Gravity | Maximum Viscosity |
|---------------------|--------------------------|-------------------|
| 14 gpm (53 lpm) | 1.8 | 1,000 cP |

- *Top-to-bottom mixing action allows rapid suspension of settled solids.*
- *Pulls lighter liquid from top and discharges under pressure out the bottom of the mixer tube.*



*When mixing flammables or combustibles, use explosion proof electric or air drive motors on stainless steel tubes with static protection kit.

MOTOR DATA



TEFC
(M7T, M8T)



Exp-Proof
(M7X)



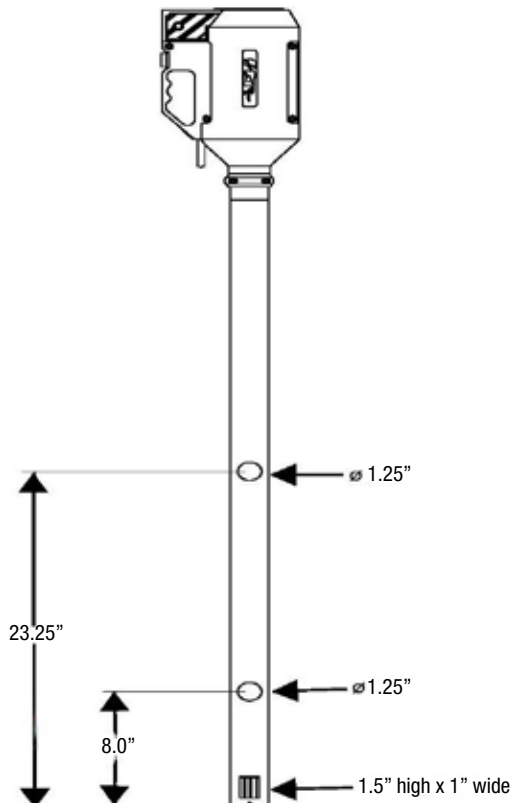
Air
(M6, M6X)

| Model | Description | Certification | Electrical Requirements | Input | Output | RPM |
|--|---|---------------|-------------------------|-------|--------|-----------|
| | | | | W | W | |
| TEFC (Totally Enclosed Fan Cooled), IP54 Motors | | | | | | |
| M7T | Continuous duty. 12 ft. (3.5 m) cord w/ NEMA 5-15 Type B plug and circuit breaker w/ manual reset. | CSA | 115VAC/50-60 Hz | 500 | 180 | 2850/3450 |
| M8T | Continuous duty. 12 ft. (3.5 m) cord. | CE | 230VAC/50-60 Hz | 500 | 180 | 2850/3450 |
| Explosion Proof Motors | | | | | | |
| M7X | Suitable for use in hazardous areas, ideal for flammable liquids. TEFC housing. 12ft. (3.5m) cord, internal circuit breaker. Continuous duty. | CSA | 115VAC/50-60 Hz | 500 | 180 | 2850/3450 |
| Air Motors^{†‡} | | | | | | |
| M6 | Lightweight. Operates from customer-supplied compressed air source. Variable speed. Muffler and control valve. | CE | 80-100 psi @ 15-32 cfm | - | 400 | 300-9,000 |
| M6X | | CE | 80-100 psi @ 15-32 cfm | - | 600 | 300-6,000 |

[†]An air motor is a non-electrical device meaning possibility of explosion from igniting flammables/combustibles is reduced. Air motor performance will depend upon user's system setup.

[‡]Motor suitable for hazardous areas that do not require independent certification.

Dimensions



Accessories

Drum Adapters



Static Protection Kit



Air Hose Assembly



Filter Lubricator Assembly

