

TFT SERIES

INSERTION PADDLEWHEEL FLOW METER WITH TRANSMITTER

KEY FEATURES & BENEFITS

- All Thermoplastic Construction
- Excellent Chemical Resistance
- Pipe Size Range 1/2" - 24" / DN15 - DN600
- Measuring Flow Range (0.33 to 32.8 ft/s)*
- Easy to Install
- Excellent for Low or High Temperatures
-4°F to 194°F (-25°C to 90°C)
- NEMA 4X / IP65 or NEMA 6 / IP68 Ratings
- Extra Long Lasting PFA Paddle (Zirconium Dioxide Ceramic Shaft & Bearings)
- Double O-ring Seal
- High Pressure Rating (up to 200 psi / 14 Bar)

SPECIFICATIONS

Supply Voltage	DC 24V
Measuring Accuracy	±0.75% of full scale
Repeatability	±0.5% of full scale
Pipe Size	1/2" to 4" / DN15 to DN100 (-0) 6" to 24" / DN150 to DN600 (-1)
Output Frequency	60.5 Hz per m/s nominal, 18.45 Hz per ft/s nominal
Output Signal	4-20 mA (STD), 0-5 VDC (OPT)
Sensor Body Material	Polypropylene or PVDF
Rotor Material	PTFE
Shaft and Bearings Material	Zirconium Dioxide Ceramic (ZrO ₂)
O-ring Material	FKM
Electrical Connection	DIN Mini-Connector 43650-A (IP65) Electrical Cable (IP68)
Cable Type	3 conductor + shield 0.26A WG.PVC
Reverse Voltage Protection	Included as Standard
Viscosity Range	0.5 to 20 centistokes (cst)
Maximum Particle Size	<10% with Particle Size (<0.5 mm cross section or length)
Maximum Operating Pressure/Temperature	PVDF body 200 psi @ -30°F to 80°F 36 psi @ 194°F PP Body 180 psi @ -13°F to 80°F / 25 psi @ 180°F
Storage Condition	PVDF -40°F to 194°F PP -22°F to 195°F
CE EMC Certification	EN 55022:1998

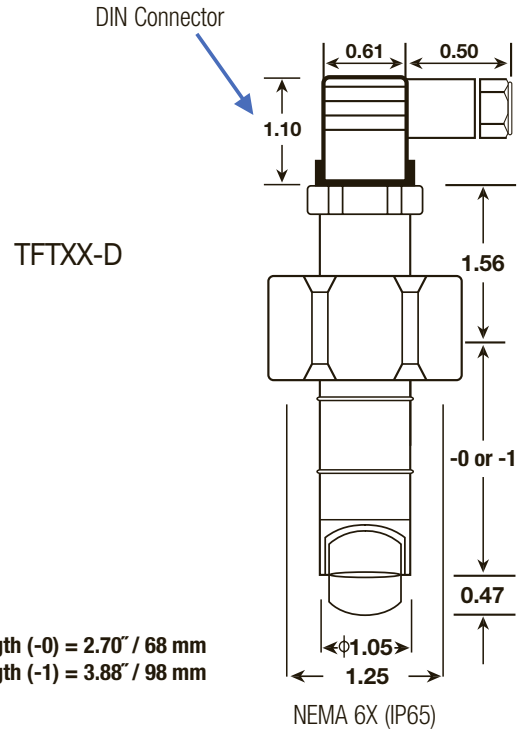
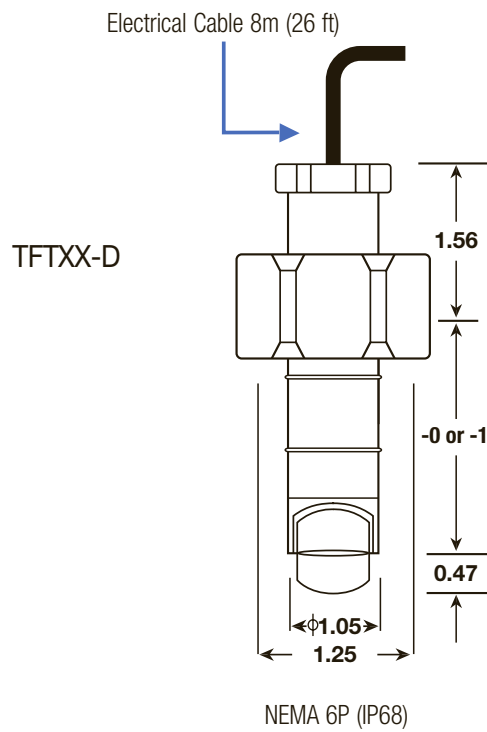
* Max. recommended velocity for plastic pipe is 8 ft/s

TFT Series

INSERTION PADDLEWHEEL FLOW METER WITH TRANSMITTER



DIMENSIONS (UNIT : INCH)



Sensor Length (-0) = 2.70" / 68 mm
 Sensor Length (-1) = 3.88" / 98 mm

TERMINAL CONNECTIONS-FLOW CONTROLLER

3 Cond. + Shield, 28 AWG. PVC (221°F / 105°C)

