



## TLC SERIES

### LEVEL PROCESS DISPLAY

The TLC Series process meter features easy to operate functional programming menu and a clear 4-digit, 3/4" LED display. The NEMA 4X Class (IP 65) housing makes the TLC Series an ideal choice for heavy-duty applications where corrosion resistance is needed. The optional infrared controller can be used to change the settings without opening the enclosure.

#### KEY FEATURES & BENEFITS

- All in One Controller with NEMA 4X Enclosure
- Input: 4-20 mA (Standard)
- 1A Relay Output & 4-20 mA Output
- Power Supply Output: 24 VDC (Standard)
- RS-485/Modbus RTU Standard
- Signal Peak Value Detection
- 3 Wire Cord Grips Included

#### ACCESSORIES

- IR Remote Controller\*

#### SPECIFICATIONS

Power Supply/ Power Consumption	85–260 VAC/VDC
Display	LED, 3/4" 4-Digit, Red, Adjustable Brightness
Displayed Values	-999–9999 with decimal point
Input	0-20 mA or 4-20 mA
Accuracy	0.1% @ 25°C + One Digit
Stability	50 ppm/°C
Outputs (option)	0 or 2 x REL I <sub>max</sub> = 1A
Passive Current Output (option)	4-20 mA (operating range max. 2.8 ÷ 24mA)
Power Supply Output	24 VDC
Communication Interface	RS-485
Operating Temp	-4°F – 158°F (-20°C - 70°C)
Storage Temp	-4°F – 158°F (-20°C - 70°C)
Protection Class	NEMA 4X (IP65)
Case	Wall Mounted

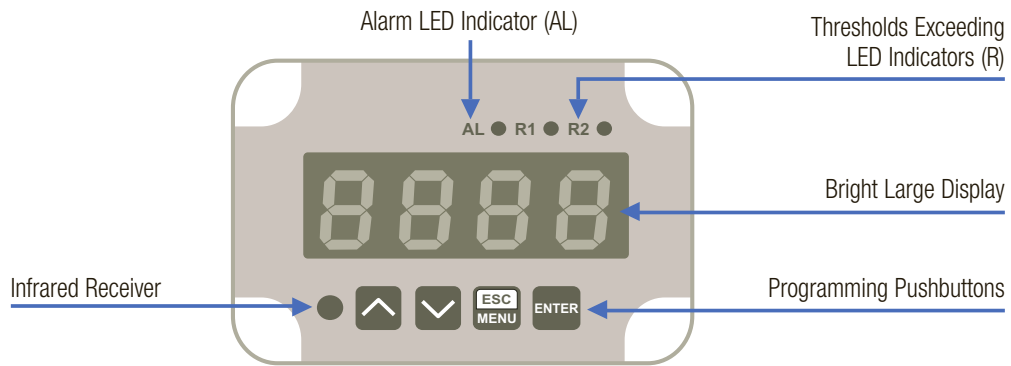
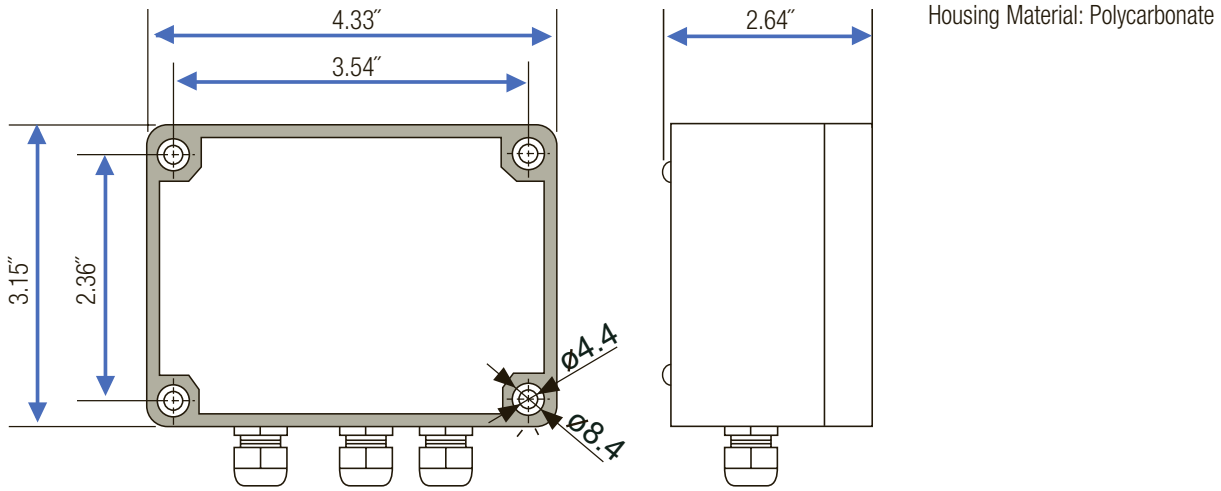
\*Remote controller is not part of the device and is available upon request.

# TLC Series

LEVEL PROCESS CONTROLLER & DISPLAY



## DIMENSIONS AND MATERIALS (UNIT : INCH)



## PIN ASSIGNMENT

