



## TF SERIES

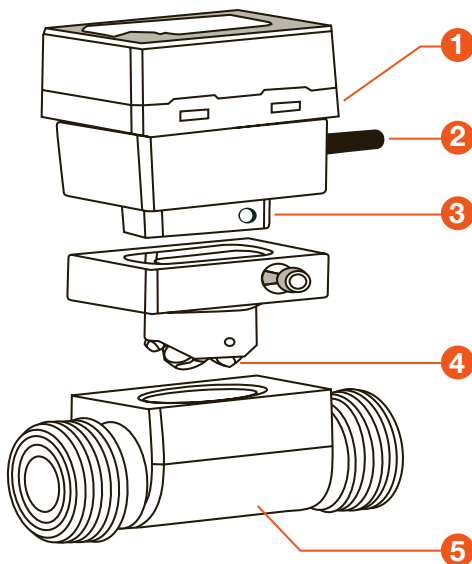
### MULTI-FUNCTION TRUE UNION PADDLEWHEEL FLOW METER

The TF Series Paddlewheel Flow Meter provides High Accuracy economically while ideal for thermoplastic piping systems. The TF Series consists of a rugged true union industrial design that is suitable for corrosive applications while providing a 1 amp selectable output relay that can be used as an alarm for high or low flow rate conditions.

#### KEY FEATURES & BENEFITS

- Perfect for Pump and Filter Protection
- True Union Design 1/2" – 2" (Flanged 3" – 4")
- High Accuracy– Less than  $\pm 1.0\%$  of Full Scale
- Unit of Flow Measurement is Selectable (Liter/Gallon/Kilo-liter)
- Corrosion Resistant Materials–PVC and Polypropylene
- Economical Visual Indication
- Easy Installation – No Mounting Kits
- High Flow Range 0.33 ft/s – 32.8 ft / 0.3 m/s – 10 m/s
- Easy to Program
- Large Bright LED Digital Display
- Horizontal or Vertical Installation
- Low Pressure Drop
- 4-20 mA and 0-5 VDC Pulse Output Signal
- NEMA 4X/IP65 Enclosure
- Password Protected Security

#### EXPLODED VIEW



#### SPECIFICATIONS

Fluid	Water or Chemicals Liquid – Viscosity Range: 5-20 centistokes
Accuracy	$\pm 1.0\%$ of F.S. @ 20°C (68°F) – Repeatability $\pm 0.5\%$ of Full Scale
Max Flow Velocity	32.8 ft/s max – (10 m/s max) (8 ft/s max. recommended for plastic piping systems)
Min Flow Velocity	0.33 ft/s min – (0.3 m/s min.)
Pressure Rating	150 psi / 10 Bar at 70°F / 23°C Non-Shock
Turndown	100:1
Response Time	Real Time
Material of Construction	Paddle: Tefzel / Body: PVC or PP Shaft: Zirconium Ceramic Seals: EPDM/FPM
Operating Temperature	PVC < 140°F (60°C) PP < 176°F (80°C)
Electronics	-13°F / -25°C to 122°F / +50°C
Protection Class	IP65 NEMA 4X
Approvals & Listings	CSA Listed, CE Approval and RoHS Compliant
Min Flow	1/2 to 1 GPM, 3/4 to 1-2/5 GPM, 1 to 2-1/2 GPM, 1-1/2 to 6-1/2 GPM, 2 to 10-1/2 GPM

# TF Series

MULTI-FUNCTION TRUE UNION PADDLEWHEEL FLOW METER

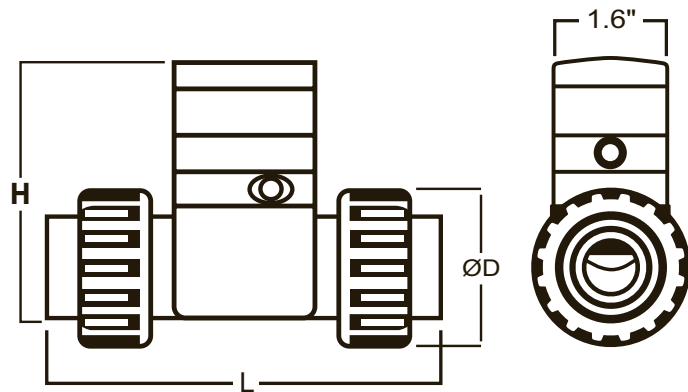


## TF SERIES PARTS LIST

1. Flow Controller
2. Lead Wire
3. Hall Sensor
4. Paddlewheel - Tefzel
5. Body, End Connection & Unions - PVC or PP

## TF SERIES MODELS:

TFM = Paddlewheel Flow Meter with Transmitter  
 TFP = Paddlewheel Flow Meter & Flow Totalizer  
 TFS = Paddlewheel Flow Meter & Relay Output



## DIMENSIONS

Pipe Size	H		L		D	
	TFM/TFP		All Models			
	in	mm	in	mm	in	mm
1/2"	3.74	95	5.51	140	1.61	41
3/4"	3.82	97	5.91	150	2.09	53
1"	3.95	100.3	6.30	160	2.36	60
1-1/2"	4.67	119	7.28	185	3.27	83
2"	5.21	132	7.75	197	4.33	110

## FLOW DATA FOR SCHEDULE 80 PIPE SIZE

(O.D.)	Flow Rate (LPM) / USGPM	
	0.3 m/s min. (1 ft/s)	10 m/s max. (32.8 ft/s*)
1/2"	3.5/0.92	120.0/31.7
3/4"	5.0/1.32	170.0/44.9
1"	9.0/2.4	300.0/79.2
1-1/2"	25.0/6.6	850.0/224.4
2"	40.0/10.6	1350.0/356.4

\*Max. recommended velocity in thermoplastic piping is 8 ft/s